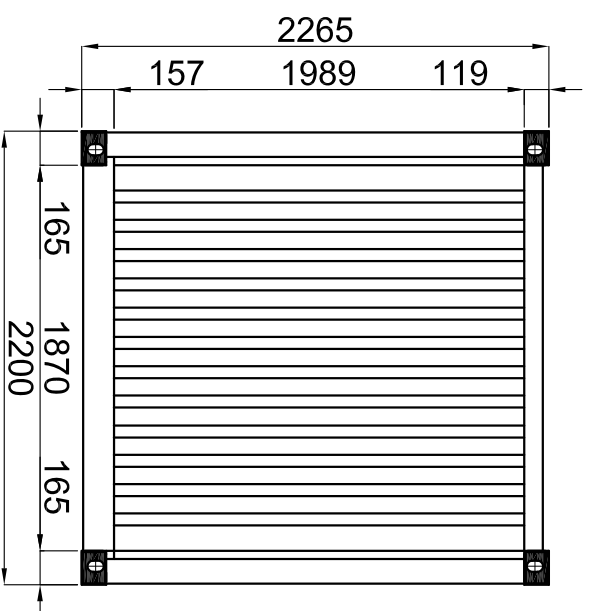
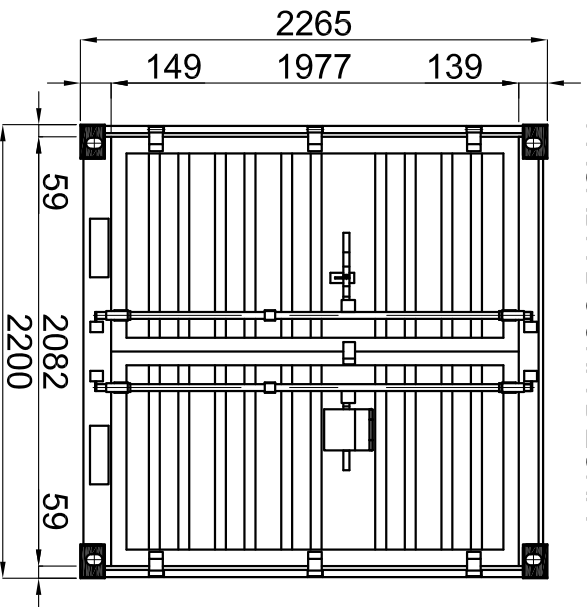


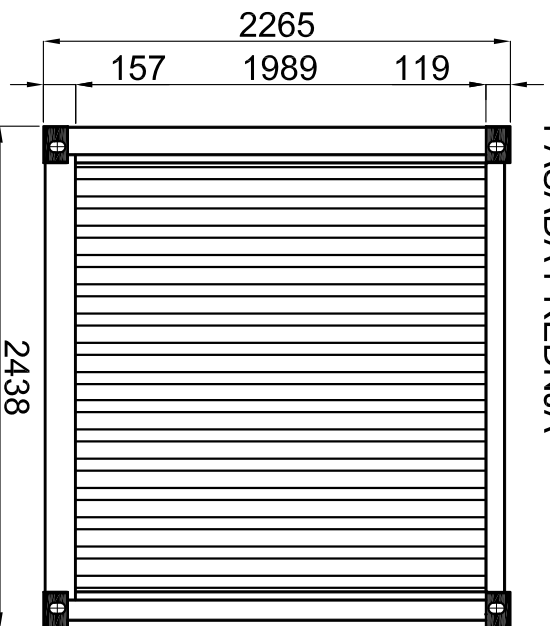
FASADA ZADNJA



FASADA BOČNA LIJEVA

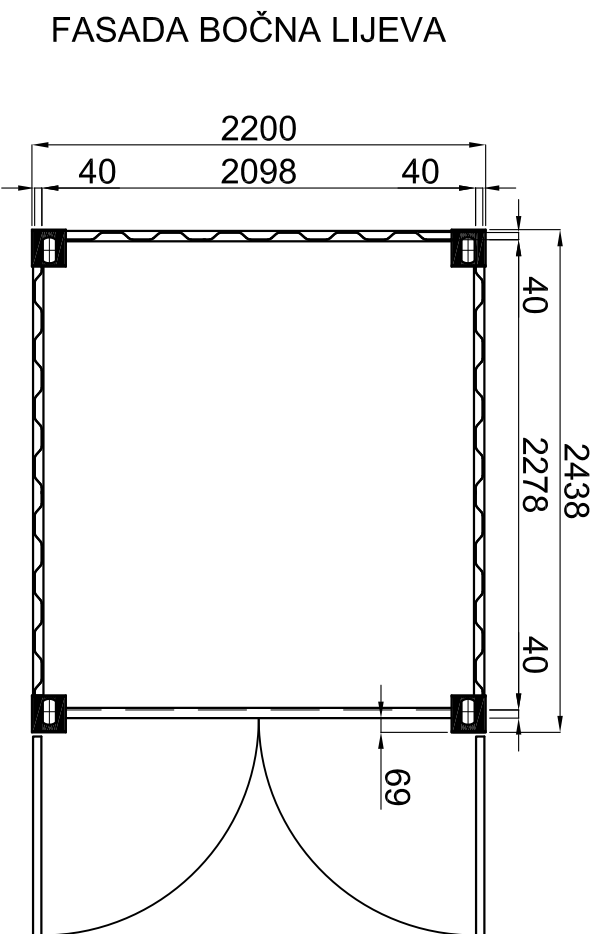


FASADA BOČNA DESNA



FASADA PREDNJA

FASADA ZADNJA



FASADA BOČNA LIJEVA

FASADA PREDNJA

FASADA BOČNA DESNA

Item	NAME	Pos.	Drawing	Material	Weight	Format	Note
Nr.	Alteration	Date	Sign.	Nr.	Alteration	Date	Sign.
<p>Scale: 1:40</p> <p>Design: 12.07.12, D.Golubčić Ing.</p> <p>Drewed: 31.07.12, D.Golubčić Ing.</p> <p>Checked: []</p> <p>Approved: []</p>							
<p>Name: []</p>				<p>FORMAT: A3</p>		<p>VELTA d.o.o. Mala Svarca 155, PO BOX 114, 47000 Karlovac CROATIA Tel: 00385 (0) 47 434 364, Fax: 00385 (0) 47 434 131 E-mail: dario.golubcic@velta-ka.com</p>	
<p>REVISION</p>				<p>Drawing No.: 24.0008.0001</p>			
<p>SKLADIŠNI KONTEJNER 8'</p> <p>2438 x 2200 x 2265</p>				<p>Replaced for: []</p> <p>Replaced by: []</p>			